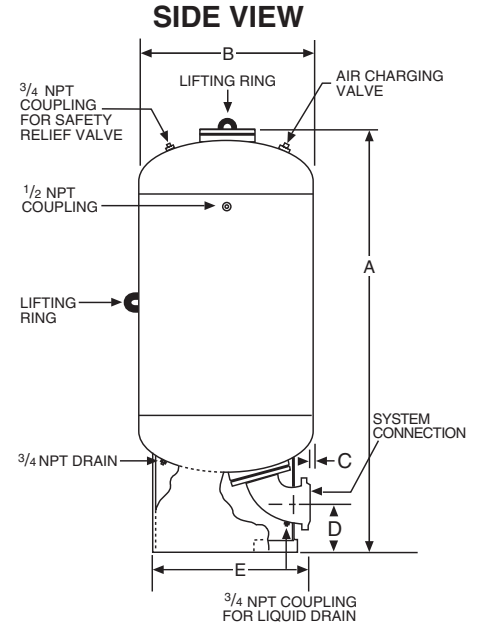


“D” Series (ASME) For Potable Water Service 250 PSIG Working Pressure

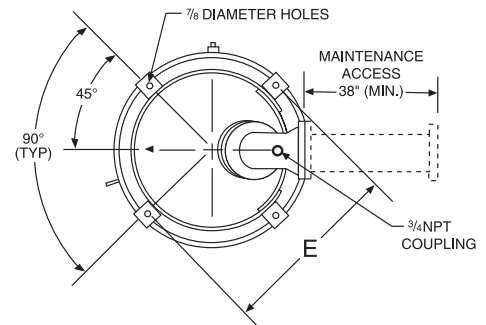
ASME Models

Model No.	Tank Vol.		A Height		B Diameter		Sys. Conn.	C Conn. Inset	D Conn. CtrLine	E Stand Dia	Ship Wt.	
	Lit.	Gal	mm	ins.	mm	ins.					kg	lbs.
D-7	200	53	1245	48 ⁷ / ₈	610	24	4	1 ⁹ / ₁₆	8 ³ / ₁₆	19	166	367
D-11	300	80	1600	62 ⁷ / ₈	610	24	4	1 ⁹ / ₁₆	8 ³ / ₁₆	19	208	459
D-14	400	106	1956	76 ⁷ / ₈	610	24	4	1 ⁹ / ₁₆	8 ³ / ₁₆	19	282	618
D-18	500	132	2311	90 ⁷ / ₈	610	24	4	1 ⁹ / ₁₆	8 ³ / ₁₆	19	333	731
D-21	600	158	1893	74 ¹¹ / ₁₆	762	30	4	1 ³ / ₈	7 ¹ / ₄	24	433	950
D-28	800	211	2365	93 ³ / ₈	762	30	4	1 ³ / ₈	7 ¹ / ₄	24	513	1125
D-35	1000	264	2086	82 ¹ / ₈	914	36	6	3 ¹ / ₄	7 ¹ / ₂	30	693	1520
D-42	1200	317	2465	94 ¹ / ₂	914	36	6	3 ¹ / ₄	7 ¹ / ₂	30	784	1720
D-50	1400	370	2781	109 ¹ / ₂	914	36	6	3 ¹ / ₄	7 ¹ / ₂	30	866	1900
D-56	1600	422	2178	85 ³ / ₄	1220	48	8	1 ³ / ₄	10 ⁷ / ₈	42	1049	2300
D-70	2000	528	2528	99 ⁵ / ₈	1220	48	8	1 ³ / ₄	10 ⁷ / ₈	42	1231	2700



Operating Temperature	200° F => (115° C)
Working Pressure	250 PSIG ASME (17.6 bar)

BOTTOM VIEW



Models D-21 thru D-70

Description	Standard Construction
Shell	Steel
Bladder	Heavy Duty Butyl NSF/ANSI 61
Bladder Thickness	.100 Minimum
System Connection	Steel - ANSI Flange
Coating	Red Oxide Primer
Factory Precharge	40 PSIG (2.8 bar)

Constructed per ASME Code Section VIII, Division 1.

All dimensions and weights are approximate.
Complies with Low Lead Plumbing Law

Job Name _____

Location _____

Engineer _____

Contractor _____

Contractor P.O. No. _____

Sales Representative _____

Model No. Ordered _____

ASME CERTIFICATION REQUIRED _____ Yes _____ No